

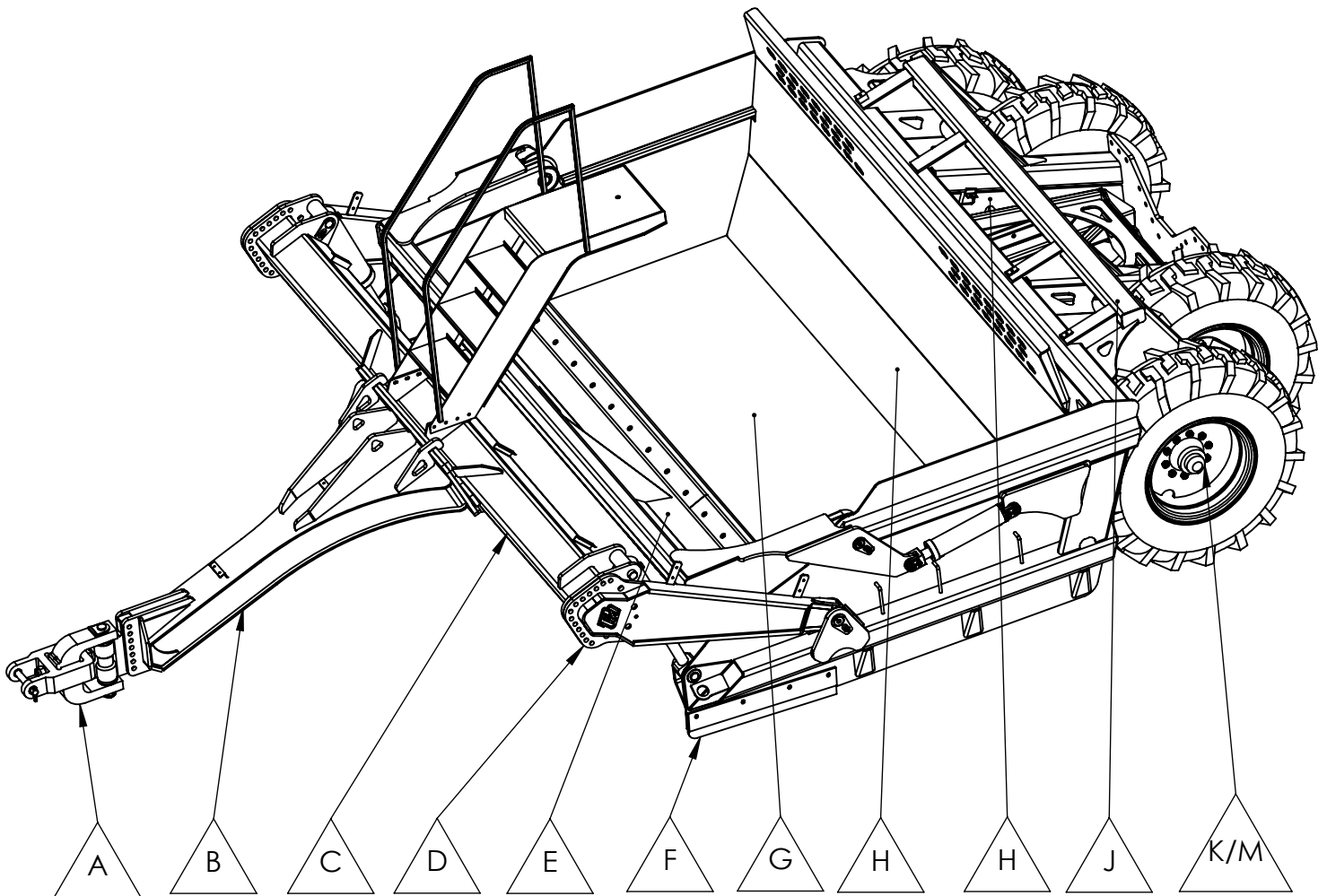
# EJECTOR CARRY ALL

## PARTS BOOK

MODELS: LEC14XL, LEC12XL & LEC10C



[www.porterswelding.com](http://www.porterswelding.com)



\* THE SERIAL NUMBER OF THE EQUIPMENT IS REQUIRED

CALL YOUR LOCAL DEALER FOR PARTS

# EJECTOR CARRY ALL

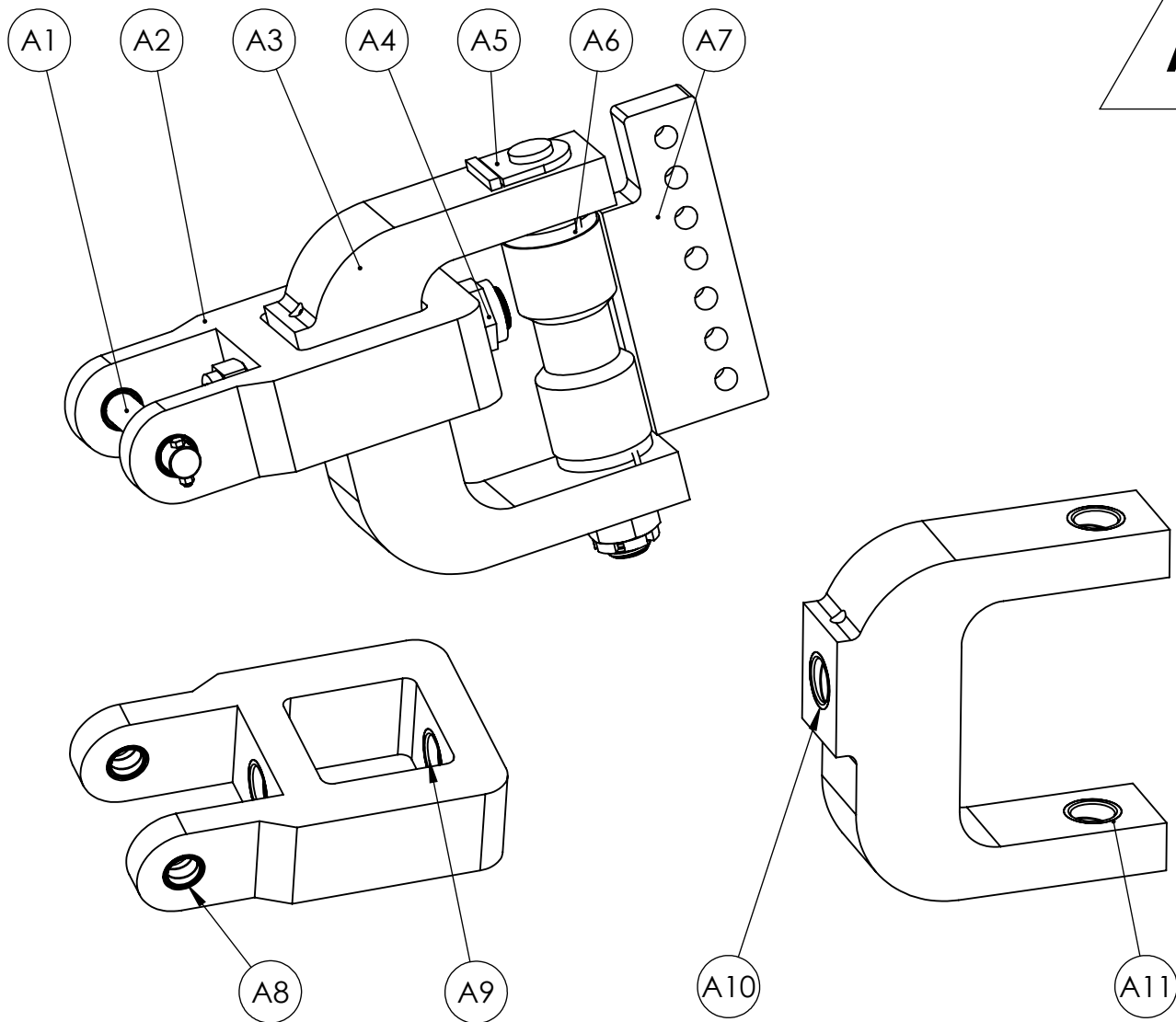
## PARTS BOOK

MODELS: LEC14XL, LEC12XL & LEC10C

YOKE



[www.porterswelding.com](http://www.porterswelding.com)



| Item | Part Number | Description                | QTY |
|------|-------------|----------------------------|-----|
| A1   | LEC-CT931   | Hitch Pin                  | 1   |
| A2   | LEC-CT925   | Inner Yoke                 | 1   |
| A3   | LEC-CT926   | Outer Yoke                 | 1   |
| A4   | 1063283     | Horizontal Pin Assembly    | 1   |
| A5   | 1063284     | Verticle Pin Assembly      | 1   |
| A6   | 1063146     | Yoke Washer                | 2   |
| A7   | 1063282     | Pivot Pin Housing Assembly | 1   |
| A8   | LEC-CT927   | Hardened Bushing           | 2   |
| A9   | LEC-CT928   | Hardened Bushing           | 2   |
| A10  | LEC-CT928   | Hardened Bushing           | 2   |
| A11  | LEC-CT929   | Hardened Bushing           | 2   |

\* THE SERIAL NUMBER OF THE EQUIPMENT IS REQUIRED

CALL YOUR LOCAL DEALER FOR PARTS

# EJECTOR CARRY ALL

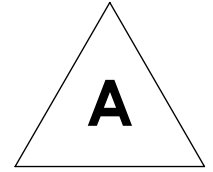
## PARTS BOOK

MODELS: LEC14XL, LEC12XL & LEC10C

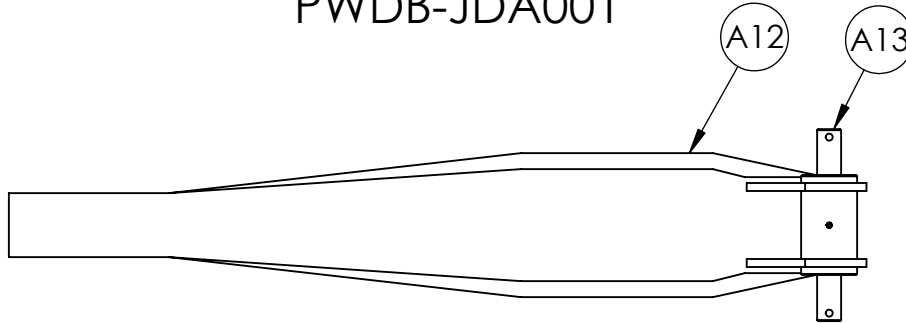
DRAW BARS



[www.porterswelding.com](http://www.porterswelding.com)

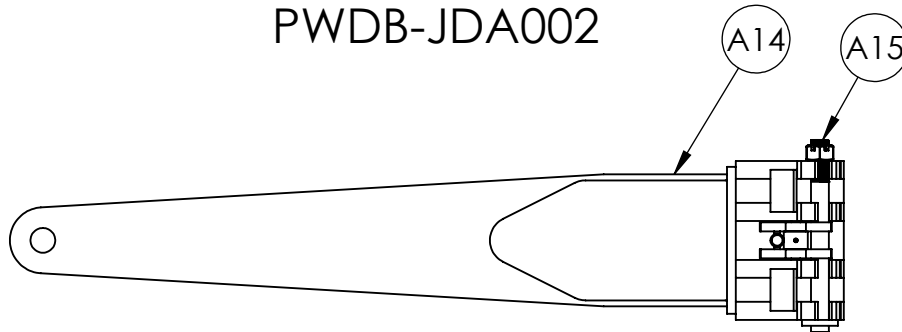


### PWDB-JDA001



| Item | Part Number | Description      | QTY |
|------|-------------|------------------|-----|
| A12  | PWDB-JDA001 | Draw Bar JD 8000 | 1   |
| A13  | LEC-CT931   | Pin              | 1   |

### PWDB-JDA002



| Item | Part Number | Description      | QTY |
|------|-------------|------------------|-----|
| A14  | PWDB-JDA002 | Draw Bar JD 9000 | 1   |
| A15  | D580        | Pin              | 1   |

\* THE SERIAL NUMBER OF THE EQUIPMENT IS REQUIRED

CALL YOUR LOCAL DEALER FOR PARTS

# EJECTOR CARRY ALL

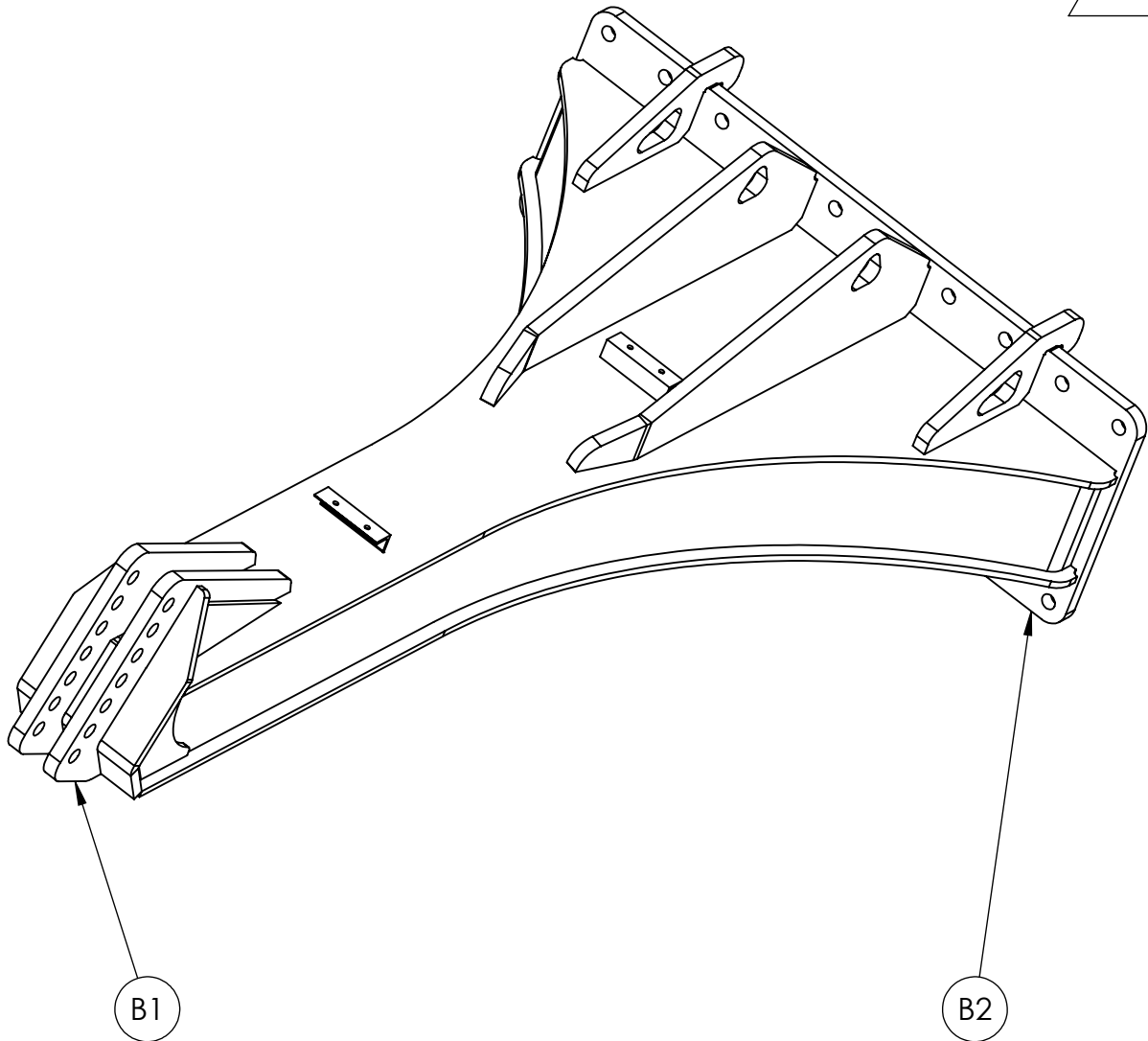
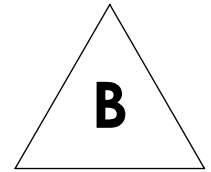
## PARTS BOOK

MODELS: LEC14XL, LEC12XL & LEC10C

TONGUE



[www.porterswelding.com](http://www.porterswelding.com)



| Item | Part Number | Description     | QTY   |
|------|-------------|-----------------|-------|
| B1   | LEC-YBK     | Yolk Bolt Kit   | 1 Kit |
| B2   | LEC-TBK     | Tongue Bolt Kit | 1 Kit |

\* THE SERIAL NUMBER OF THE EQUIPMENT IS REQUIRED

CALL YOUR LOCAL DEALER FOR PARTS

# EJECTOR CARRY ALL

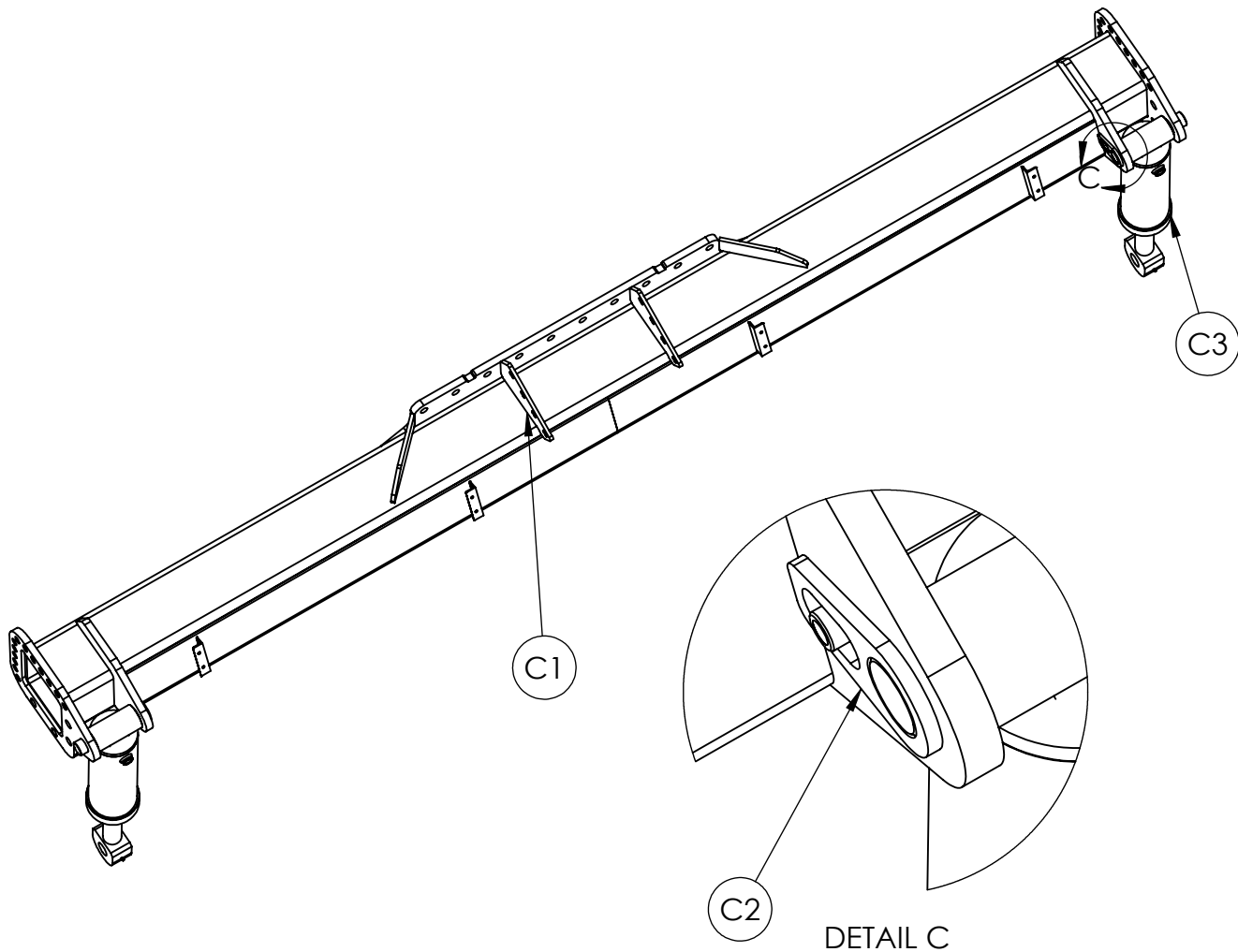
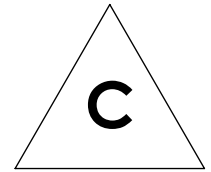
## PARTS BOOK

MODELS: LEC14XL, LEC12XL & LEC10C

MAIN BEAM



[www.porterswelding.com](http://www.porterswelding.com)



| Item | Part Number | Description                  | QTY   |
|------|-------------|------------------------------|-------|
| C1   | LEC-TBK     | Tower Bolt Kit               | 1 Kit |
| C2   | LEC-CA803   | Main Beam Upper Pin Assembly | 2     |
| C3   | 616-CYL     | 6 X 16 Cylinder              | 2     |
| C3   | SLK-6020    | 6 X 16 Cylinder Seal Kit     | 2     |

\* THE SERIAL NUMBER OF THE EQUIPMENT IS REQUIRED

CALL YOUR LOCAL DEALER FOR PARTS

# EJECTOR CARRY ALL

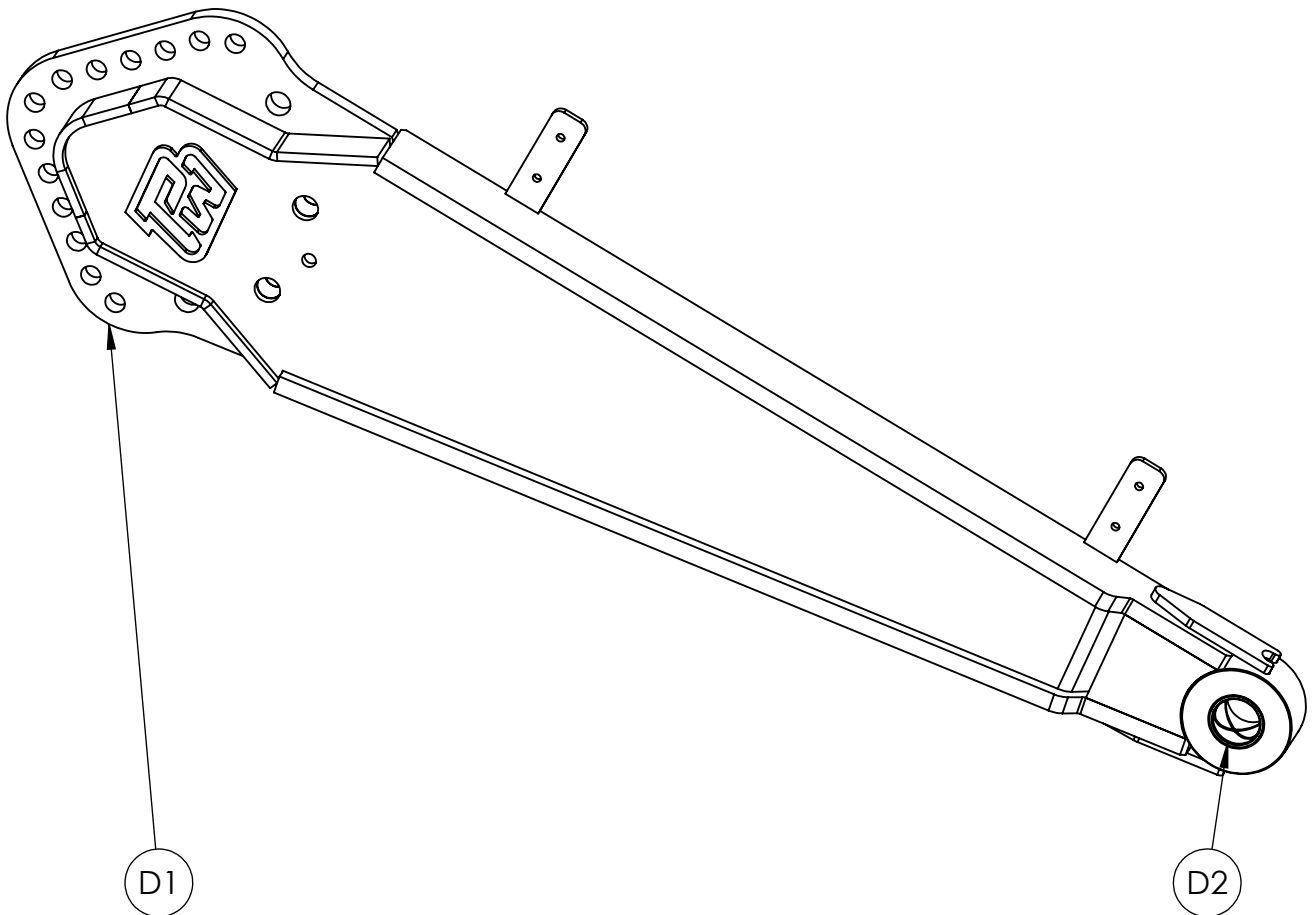
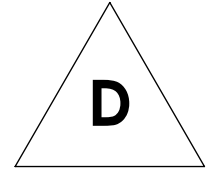
## PARTS BOOK

MODELS: LEC14XL, LEC12XL & LEC10C

ARM



[www.porterswelding.com](http://www.porterswelding.com)



| Item | Part Number | Description      | QTY   |
|------|-------------|------------------|-------|
| D1   | LEC-ABK     | Arm Bolt Kit     | 1 Kit |
| D2   | PW-LB037    | Hardened Bushing | 1     |

\* THE SERIAL NUMBER OF THE EQUIPMENT IS REQUIRED

CALL YOUR LOCAL DEALER FOR PARTS

# EJECTOR CARRY ALL

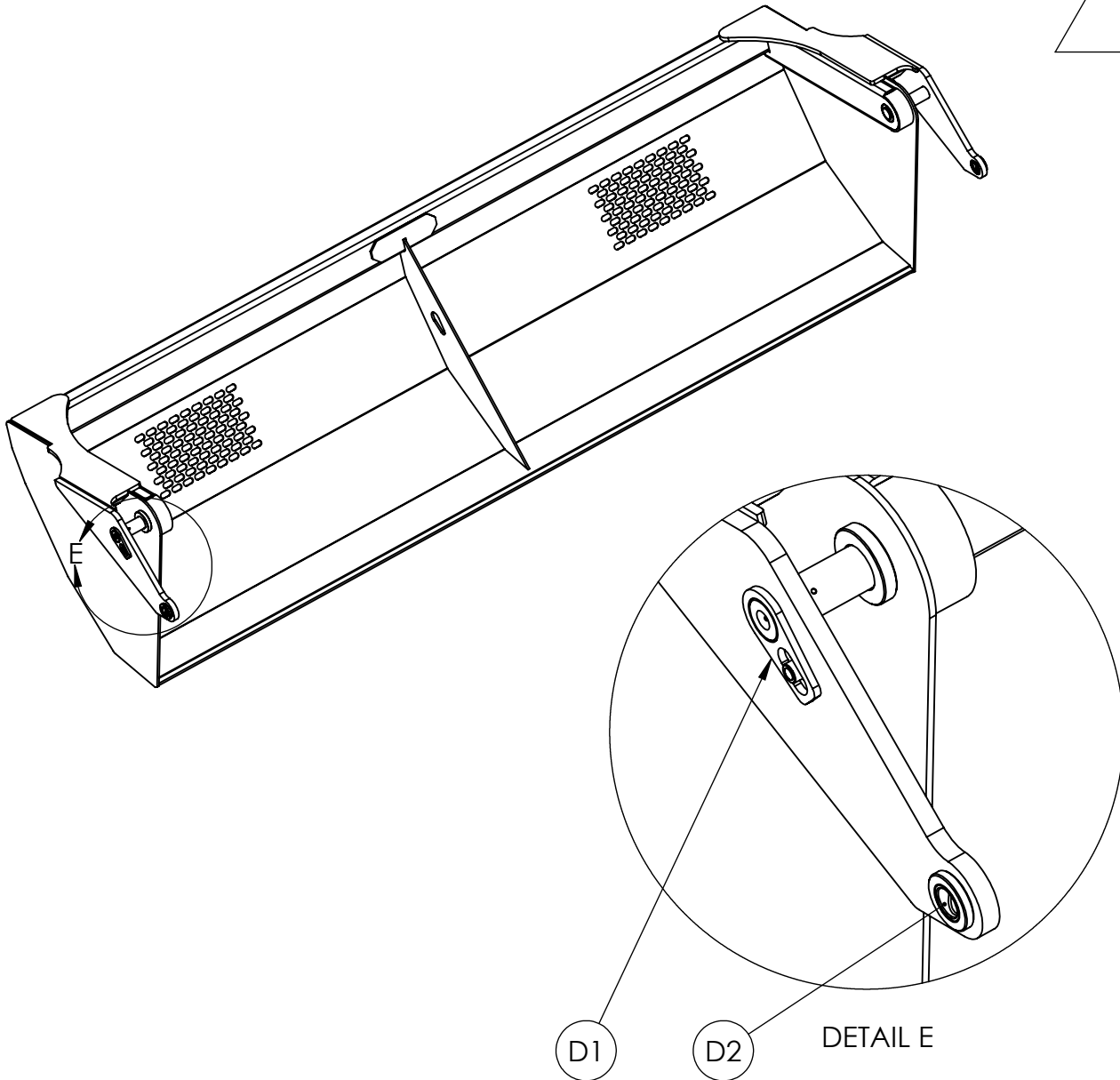
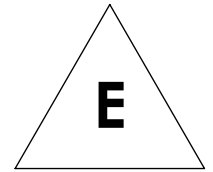
## PARTS BOOK

MODELS: LEC14XL, LEC12XL & LEC10C

FRONT DOOR



[www.porterswelding.com](http://www.porterswelding.com)



| Item | Part Number | Description             | QTY |
|------|-------------|-------------------------|-----|
| E1   | LEC-CA525   | Front Door Pin Assembly | 2   |
| E2   | PW-LB039    | Hardened Bushing        | 2   |

\* THE SERIAL NUMBER OF THE EQUIPMENT IS REQUIRED

CALL YOUR LOCAL DEALER FOR PARTS

# EJECTOR CARRY ALL

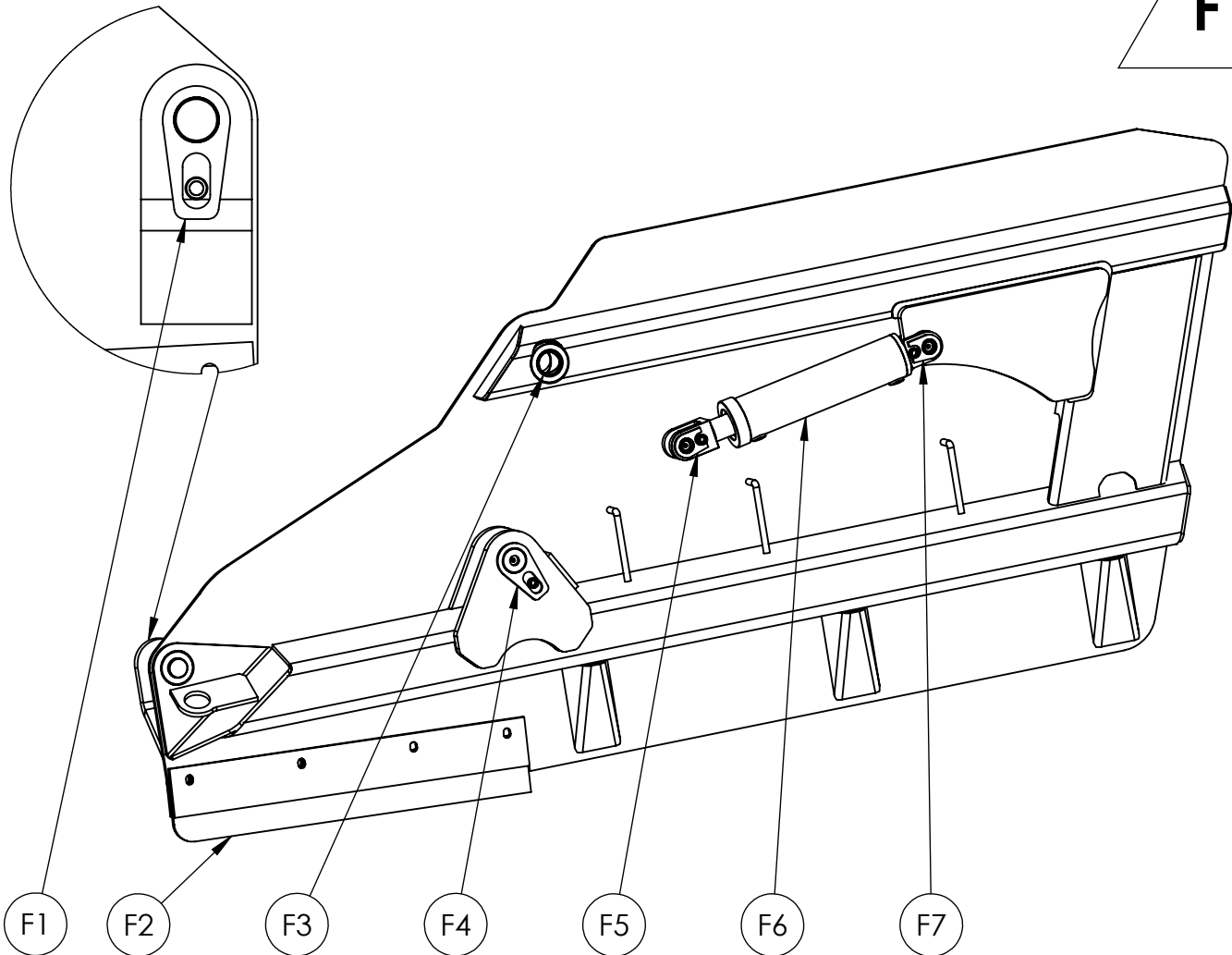
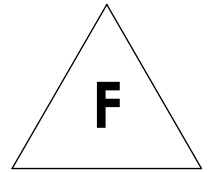
## PARTS BOOK

MODELS: LEC14XL, LEC12XL & LEC10C

SIDE



www.porterswelding.com



| Item | Part Number | Description                  | QTY |
|------|-------------|------------------------------|-----|
| F1   | LEC-CA802   | Main Beam Lower Pin Assembly | 1   |
| F2   | SLB-A006    | Slobber Bit Assembly Left    | 1   |
| F2   | SLB-A007    | Slobber Bit Assembly Right   | 1   |
| F3   | PW-LB035    | Door Hardened Bushing        | 1   |
| F4   | LEC-CA526   | Door Pin Assembly            | 1   |
| F5   | PW-LA109    | Door Cylinder Pin Assembly   | 1   |
| F6   | 414-CYL     | 4 x 14 Cylinder              | 1   |
| F6   | SLK-4017**  | 4 x 14 Cylinder Seal Kit     | 1   |
| F7   | PW-LA109    | Door Cylinder Pin Assembly   | 1   |

\* THE SERIAL NUMBER OF THE EQUIPMENT IS REQUIRED  
 \*\* BRAND NAME, BORE SIZE AND ROD SIZE ARE REQUIRED  
 CALL YOUR LOCAL DEALER FOR PARTS



# EJECTOR CARRY ALL

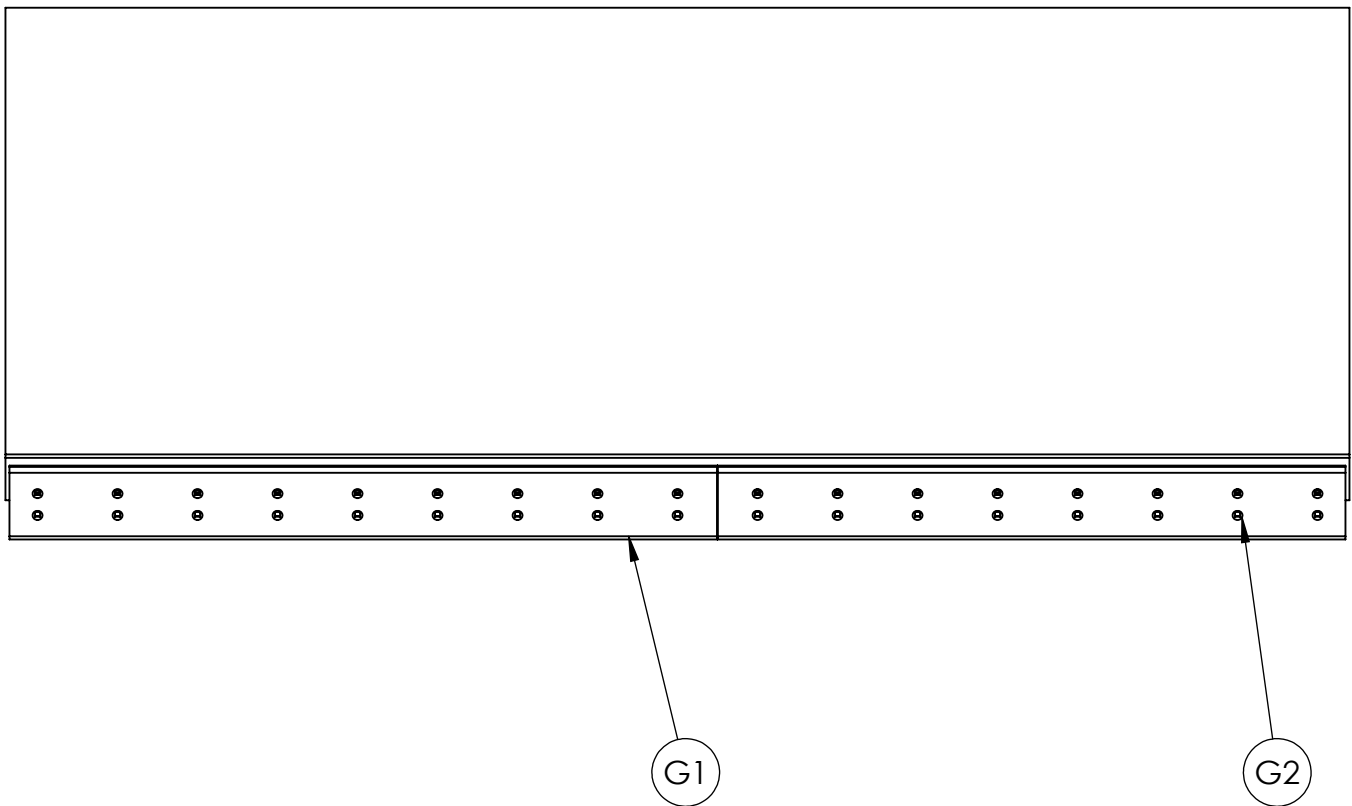
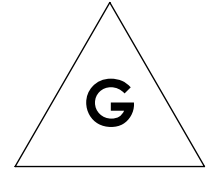
## PARTS BOOK

MODELS: LEC14XL, LEC12XL & LEC10C

FLOOR



[www.porterswelding.com](http://www.porterswelding.com)



| Item | Part Number 14 | Part Number 12 | Part Number 10 | Description    | QTY   |
|------|----------------|----------------|----------------|----------------|-------|
| G1   | LEC-BLD-14     | LEC-BLD-12     | LEC-BLD-10     | Blade Kit      | 1 KIT |
| G3   | LEC-BOL-14     | LEC-BOL-12     | LEC-BOL-10     | Blade Bolt Kit | 1 KIT |

\* THE SERIAL NUMBER OF THE EQUIPMENT IS REQUIRED

CALL YOUR LOCAL DEALER FOR PARTS

# EJECTOR CARRY ALL

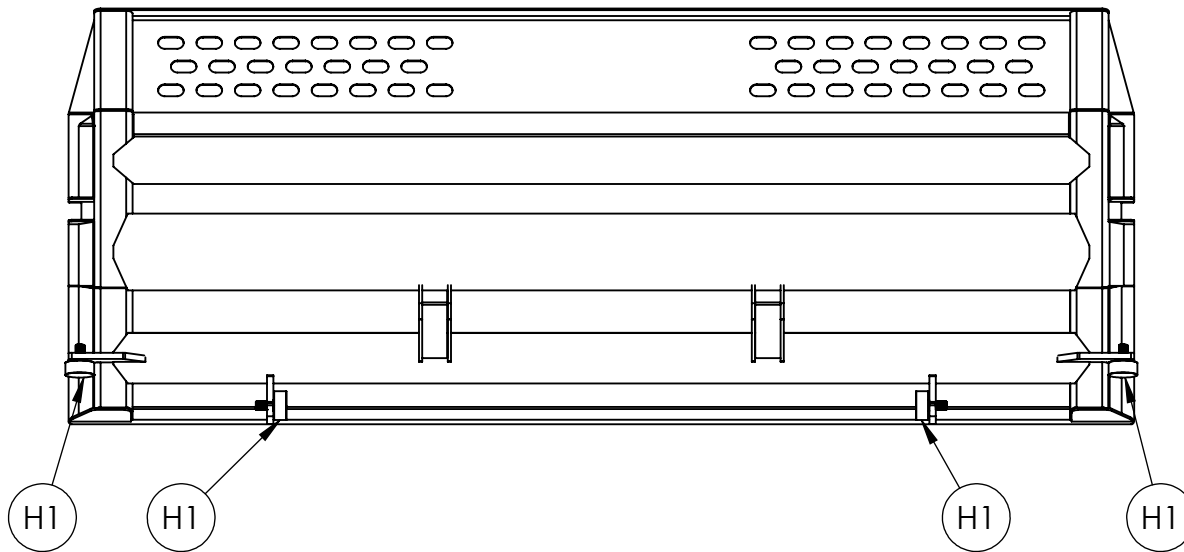
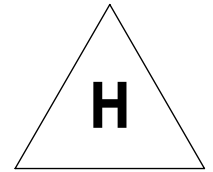
## PARTS BOOK

MODELS: LEC14XL, LEC12XL & LEC10C

PUSH DOOR

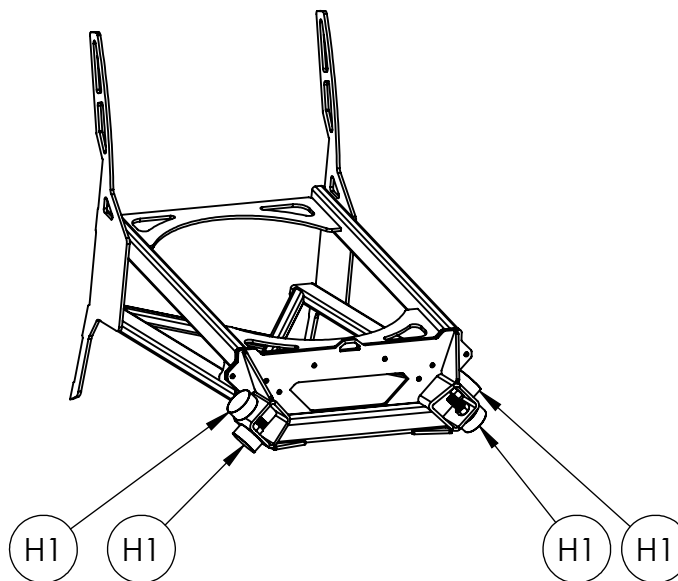


[www.porterswelding.com](http://www.porterswelding.com)



| Item | Part Number | Description    | QTY |
|------|-------------|----------------|-----|
| H1   | LEC-CT207   | Roller Bearing | 4   |

PUSH CAGE



| Item | Part Number | Description    | QTY |
|------|-------------|----------------|-----|
| H1   | LEC-CT207   | Roller Bearing | 4   |

\* THE SERIAL NUMBER OF THE EQUIPMENT IS REQUIRED

CALL YOUR LOCAL DEALER FOR PARTS

# EJECTOR CARRY ALL

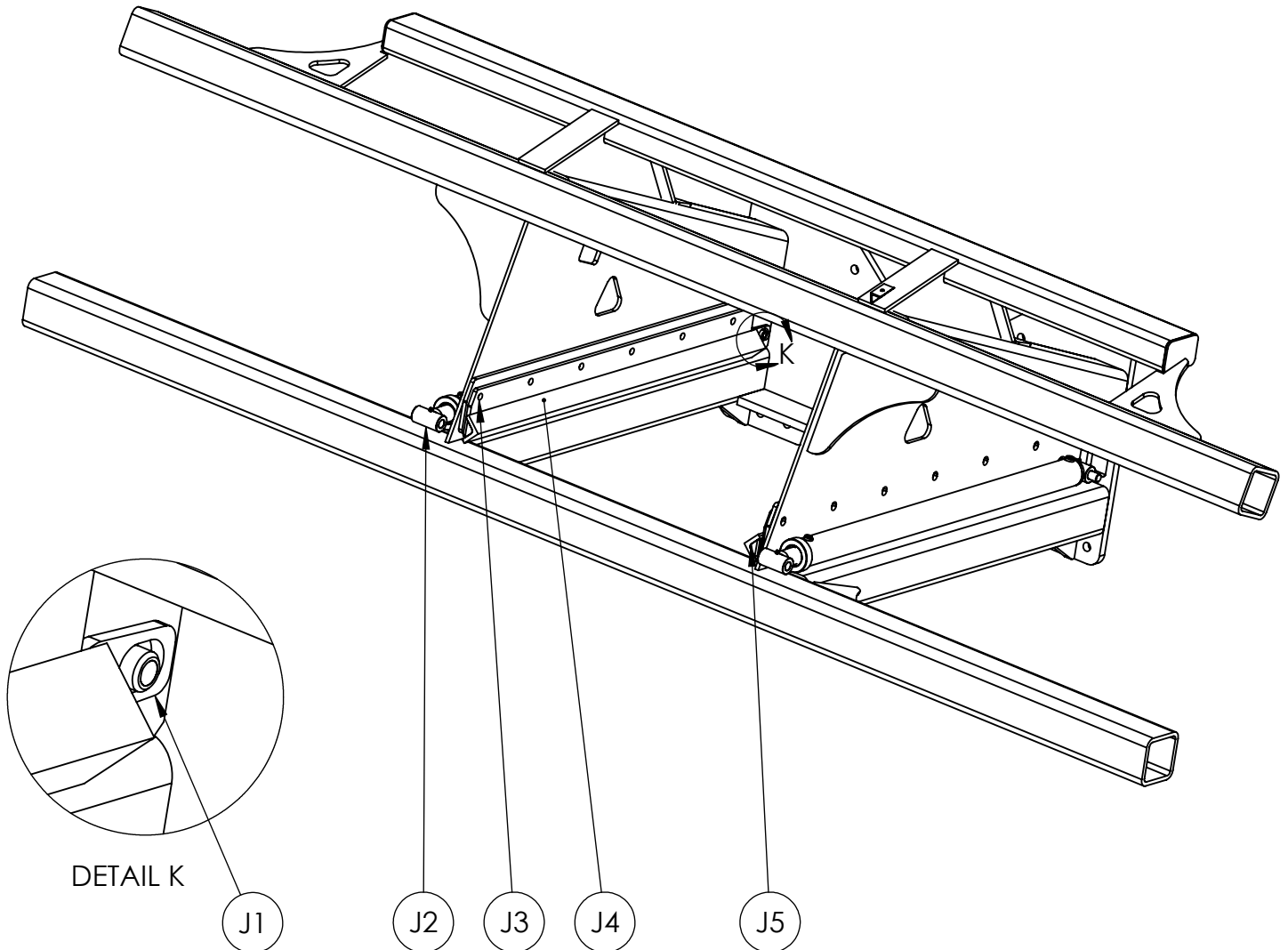
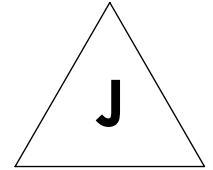
## PARTS BOOK

MODELS: LEC14XL, LEC12XL & LEC10C

FRAME



[www.porterswelding.com](http://www.porterswelding.com)



| Item | Part Number | Description                | QTY   |
|------|-------------|----------------------------|-------|
| J1   | LEC-CA111   | Push Pin Assembly          | 2     |
| J2   | 348-CYL     | 3 X 48 Cylinder            | 2     |
| J2   | SLK-3020    | 3 X 48 Cylinder Seal Kit   | 2     |
| J3   | LEC-PBK     | Push Bolt Kit              | 1 KIT |
| J4   | LEC-CA109   | Guide Track Assembly Right | 1     |
| J5   | LEC-CA110   | Guide Track Assembly Left  | 1     |

\* THE SERIAL NUMBER OF THE EQUIPMENT IS REQUIRED

CALL YOUR LOCAL DEALER FOR PARTS

# EJECTOR CARRY ALL

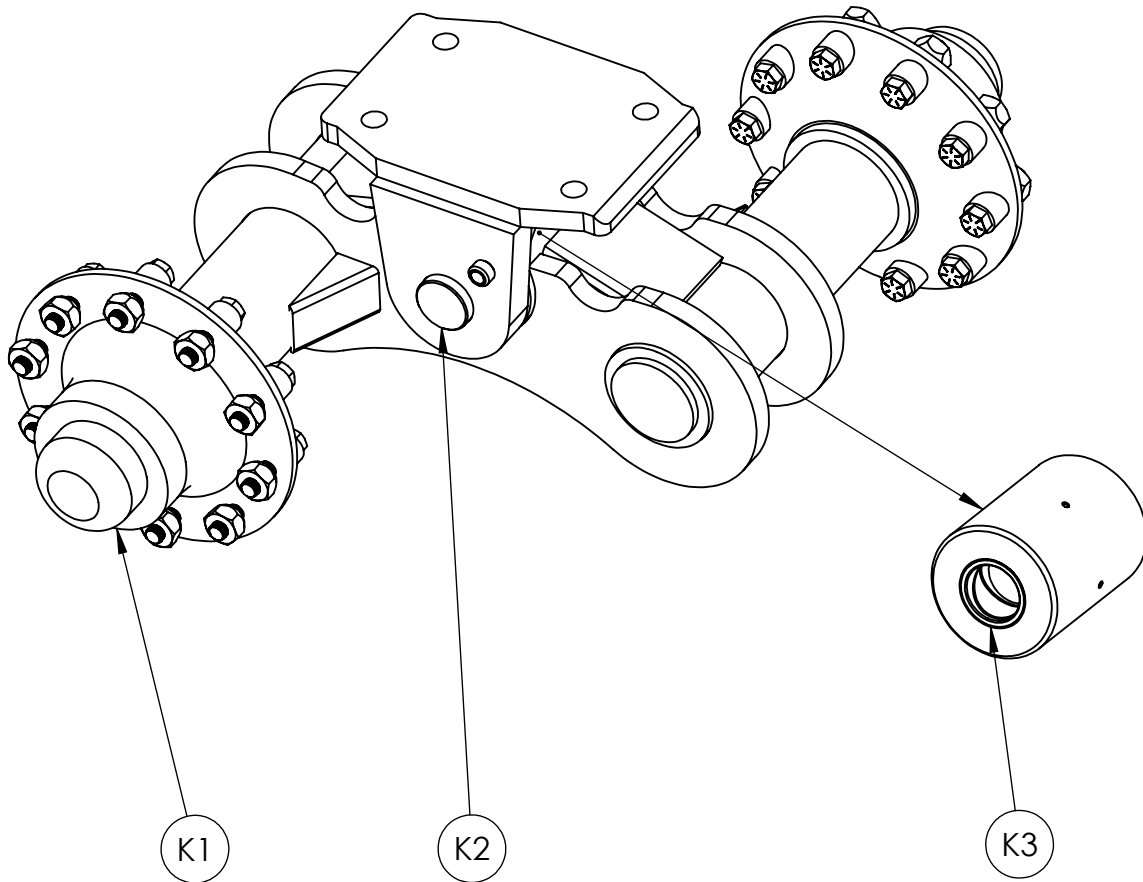
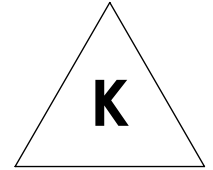
## PARTS BOOK

MODELS: LEC14XL, LEC12XL & LEC10C

WALKER



[www.porterswelding.com](http://www.porterswelding.com)



| Item | Part Number | Description               | QTY |
|------|-------------|---------------------------|-----|
| K1   | 10A-HUS-R   | Hub Assembly Right Thread | 1   |
| K1   | 10A-HUS-L   | Hub Assembly Left Thread  | 1   |
| K2   | LEC-CAT13   | Pivot Pin Assembly        | 1   |
| K3   | LEC-CA102   | PIVOT ASSEMBLY            | 1   |
| K4   | PW-LB037    | Hardened Bushings         | 2   |

\* THE SERIAL NUMBER OF THE EQUIPMENT IS REQUIRED

CALL YOUR LOCAL DEALER FOR PARTS

# EJECTOR CARRY ALL

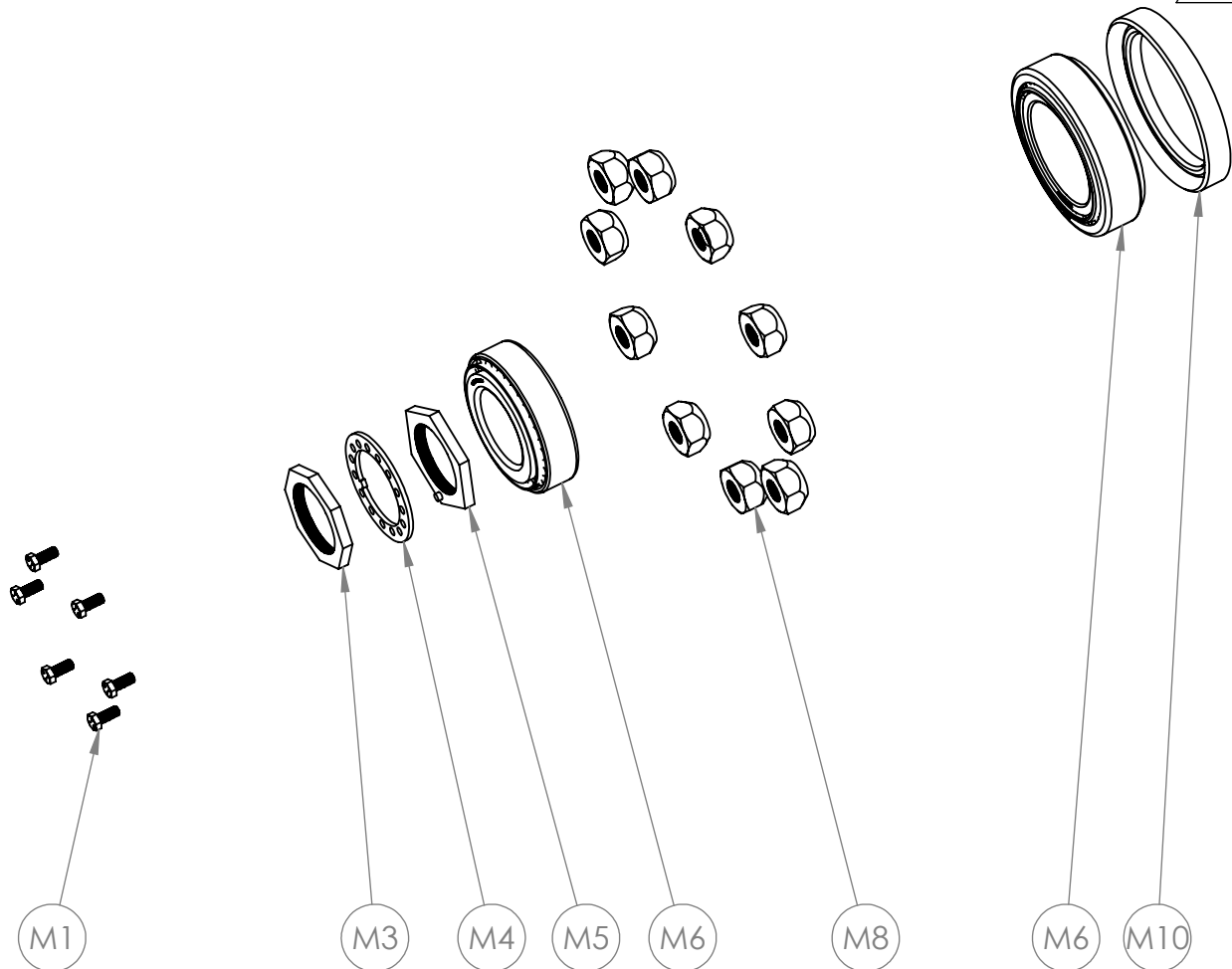
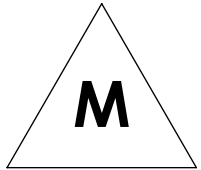
## PARTS BOOK

MODELS: LEC14XL, LEC12XL & LEC10C

HUB



[www.porterswelding.com](http://www.porterswelding.com)



| ITEM | PART NUMBER | DESCRIPTION          | QTY |
|------|-------------|----------------------|-----|
| M1   | -           | 5/16" BOLT           | 6   |
| M2   | LEC-DUC     | DUST CAP             | 1   |
| M3   | 10A-NUT-O   | OUTER NUT            | 1   |
| M4   | 10A-WAS     | WASHER               | 1   |
| M5   | 10A-NUT-I   | INNER NUT            | 1   |
| M6   | LEC-WH-BER  | BEARING KIT          | 1   |
| M7   | 10A-HUB-R   | HUB RIGHT THREAD     | 1   |
| M7   | 10A-HUB-L   | HUB LEFT THREAD      | 1   |
| M8   | 10A-LUG-R   | LUG NUT RIGHT THREAD | 10  |
| M8   | 10A-LUG-L   | LUG NUT LEFT THREAD  | 10  |
| M9   | 10A-STD-R   | STUD RIGHT THREAD    | 10  |
| M9   | 10A-STD-L   | STUD LEFT THREAD     | 10  |
| M10  | LEC-WH-SEL  | SEAL                 | 1   |

\* THE SERIAL NUMBER OF THE EQUIPMENT IS REQUIRED

CALL YOUR LOCAL DEALER FOR PARTS